

Omega 7™

D25130

MAGNIFIER

Fact Sheet



The Omega 7 is a modern, ergonomically designed magnifying lamp. It has a large 17.5cm, 3 dioptres (1.75X), lightweight acrylic lens and high power LEDs with 4 brightness level for clear viewing. The internal spring arm allows accurate positioning and lateral protections help you keep it clean. The aesthetically pleasing white and grey finish fits perfectly within any professional environment.

6,300 lux at 15cm (6")

3 colour temperatures

4 brightness levels



LIGHT QUALITY



ERGONOMICS



DESIGN

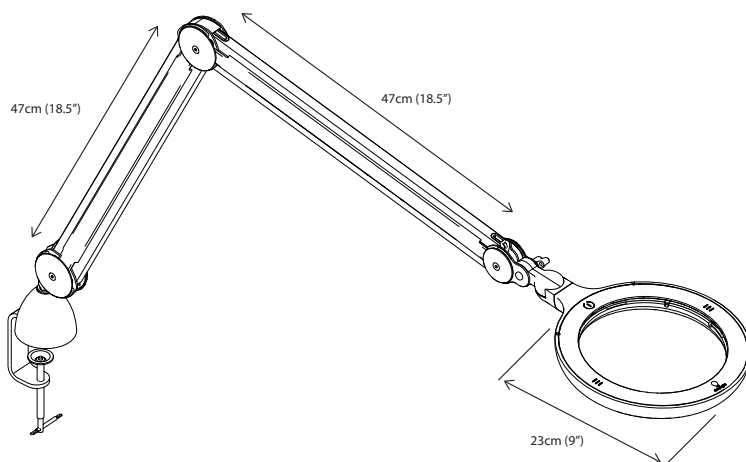
Omega 7TM

D25130

MAGNIFIER

FEATURES

- Lense Ø 17.5cm (7")
- Acrylic lens with anti-scratch coating
- Choice of 3 colour temperatures: Daylight (6,000K), Cool Light (4,000K) and Warm Light (2,700K)
- 95+ CRI for accurate colour matching
- 3 dioptrres (1.75X) magnification
- 4 brightness levels
- Long reach 118cm (46.5")
- Covered arms with internal springs



SPECIFICATIONS

Product information

Weight	3.3kg
Colour	White / Grey
Lens size	17.5cm
Cable Length	2m

Light output

Light source	LEDs
Lumens	814 lm
Lux at 15cm (6")	6,300
Colour temperature	6,000K / 4,000K / 2,700K
CRI	95+
Energy consumption	12.5W

Packaging information

Height	61cm
Width	53cm
Depth	10.5cm
Packed weight	4.5kg
Products per master carton	2

ACCESSORIES

D53060 Floorstand

Height	81cm
Width	38cm
Weight	8kg



Other details

Barcode	5022737251307
Commodity code	9405219090