

AuraTM

RING LAMP



Fact Sheet



Ring lights are the ideal tool for a professional photo finish, perfectly blended make up and seeing every shade true to colour at any time of day or night. Use the removable mobile phone holder to easily live stream, create content or improve the quality of your videos. Take the lightweight Aura to any location – simply pack and fold into the supplied carry-bag for fuss-free transportation.



LIGHT QUALITY



ERGONOMICS



DESIGN

LED 6,000K daylight

4,500 Lux at 30cm

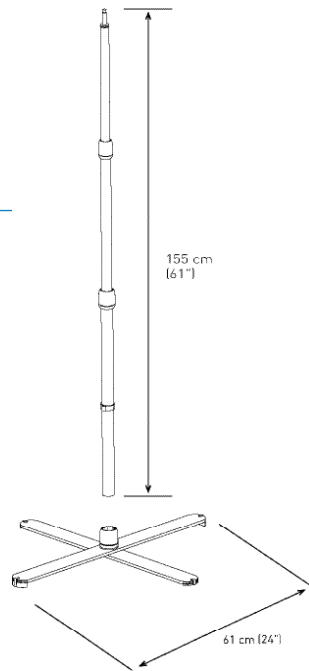
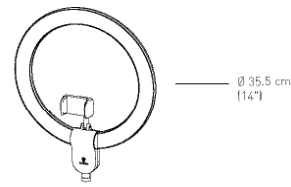
Fully adjustable light intensity

daylightcompany.com

AuraTM

RING LAMP

D35450



FEATURES

- Phone holder & USB port
- Telescopic stand
- Continuous dimmer switch
- Fully variable light intensity
- Accurate skin tone rendering
- Flat and stable base
- Adjustable shade - grab and move

SPECIFICATIONS

Product information

Weight	2.6kg
Colour	Silver/Black
Cable length	3.5m

Light output

Light source	LED
Lumens	2,100
Max. Lux at 30cm	4,500
Colour temperature	6,000K
CRI	90+
Energy consumption	29W

Packaging information

Height	41.5cm
Width	63.5cm
Depth	9cm
Packed weight	3.2kg
Products per master carton	4

CARRY-BAG INCLUDED

