

Omega 7™

U25130

MAGNIFIER

Fact Sheet



The Omega 7 is a modern, ergonomically designed magnifying lamp. It has a large 17.5cm, 3 dioptres (1.75X), lightweight acrylic lens and high power LEDs with 4 brightness level for clear viewing. The internal spring arm allows accurate positioning and lateral protections help you keep it clean. The aesthetically pleasing white and grey finish fits perfectly within any professional environment.

6,300 lux at 15cm (6")

3 color temperatures

4 brightness levels



LIGHT QUALITY



ERGONOMICS



DESIGN

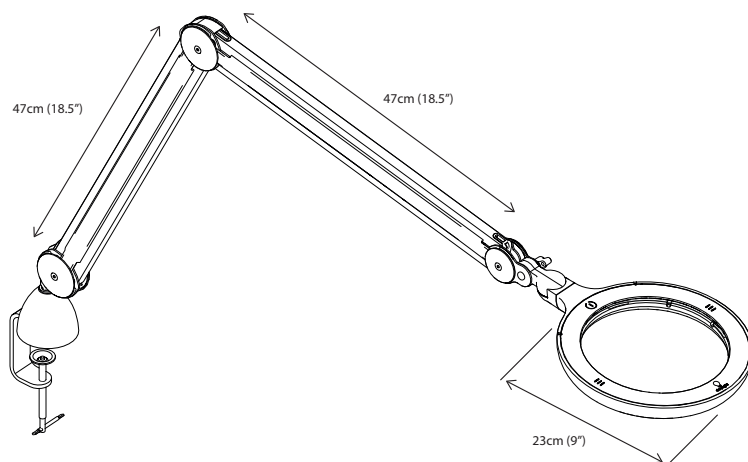
Omega 7TM

U25130

MAGNIFIER

FEATURES

- Lense Ø 17.5cm (7")
- Acrylic lens with anti-scratch coating
- Choice of 3 color temperatures: Daylight (6,000K), Cool Light (4,000K) and Warm Light (2,700K)
- 95+ CRI for accurate color matching
- 3 dioptrres (1.75X) magnification
- 4 brightness levels
- Long reach 118cm (46.5")
- Covered arms with internal springs



SPECIFICATIONS

Product information

Weight	6.6 lb
Color	White / Grey
Lens size	7"
Cable Length	79"

Light output

Light source	LEDs
Lumens	814 lm
Lux at 15cm (6")	6,300
Color temperature	6,000K / 4,000K / 2,700K
CRI	95+
Energy consumption	12.5W

Packaging information

Height	24"
Width	21"
Depth	4"
Packed weight	10 lb
Products per master carton	2

ACCESSORIES

U53060 Floorstand

Height	32"
Width	15"
Weight	17.6 lb



Other details

Barcode	809802251302
Commodity code	9405216020