

Omega 5TM

U25110

MAGNIFIER

Fact Sheet



The Omega 5 Magnifier has a 12.7cm (5") diameter glass lens with 3 dioptres (1.75X) magnification. An additional 5 dioptres (2.25X) magnification lens is also included. It comes with 4 brightness levels to suit your needs. The internal spring arm allows accurate positioning. The aesthetically pleasing white and grey finish fits perfectly within any professional environment.

5,500 lux at 15cm (6")

3 color temperatures

4 brightness levels



LIGHT QUALITY



ERGONOMICS



DESIGN

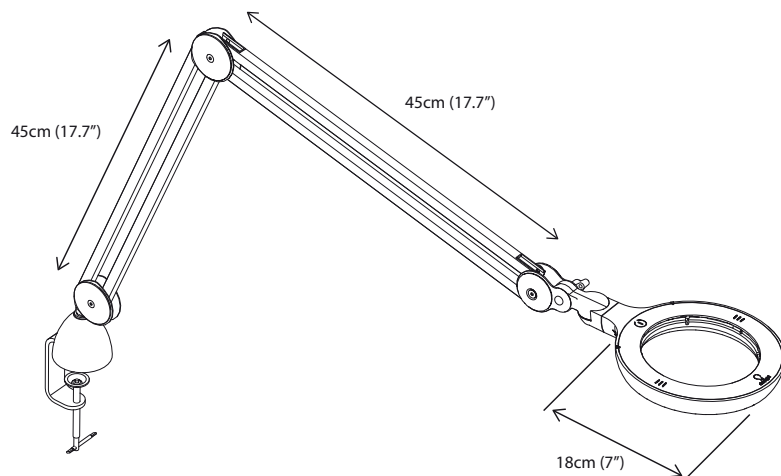
Omega 5TM

U25110

MAGNIFIER

FEATURES

- Lense Ø 12,7cm (5")
- Glass lens
- Choice of 3 color temperatures: Daylight (6,000K), Cool Light (4,000K) and Warm Light (2,700K)
- 95+ CRI for accurate color matching
- 3 dioptrés (1.75X) and 5 dioptrés (2.25X) lenses included
- 4 brightness levels
- Long reach 106cm (42")
- Adjustable head joint with wing nut



SPECIFICATIONS

Product information

Weight	6.4 lb
Color	White / Grey
Lens size	5"
Cable Length	79"

Light output

Light source	LEDs
Lumens	600 lm
Lux at 15cm (6")	5,500
Color temperature	6,000K / 4,000K / 2,700K
CRI	95+
Energy consumption	9W

Packaging information

Height	16.5"
Width	21.3"
Depth	4"
Packed weight	8 lb
Products per master carton	2

ACCESSORIES

U53060 Floorstand

Height	32"
Width	15"
Weight	17.6 lb



Other details

Barcode	809802251104
Commodity code	9405216020