

Wafer 1™

LIGHTBOX

Fact Sheet



A4 size: Ultra bright, ultra slim, ultra light, the Daylight Wafer 1 lightbox is your must have tool for tracing, on paper or fabric. LED lightbox for an even brightness from edge to edge, the light is dimmable to suit paper weight and fabric thickness and include a handy marking guide on the sides (inches and centimetres).



LIGHT QUALITY



ERGONOMICS



DESIGN

daylightcompany.com

LED 6,000K daylight

Ultra Slim Design

Touch Dimmer

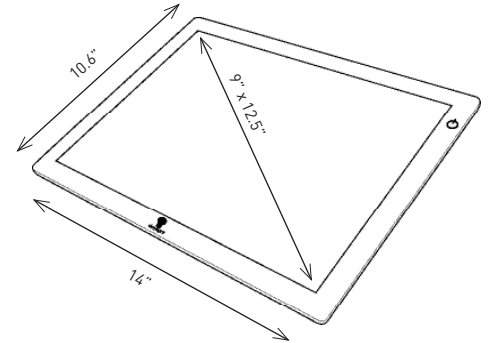
Wafer 1™

U35040

LIGHTBOX

FEATURES

- 0.31" thick
- Daylight light source provides true color matching
- LED give an even brightness
- Fully dimmable with memory function
- Illuminated area: 9" x 12.5"



SPECIFICATIONS

Product information

Weight	2lb
Color	White / Grey
Cable length	71"

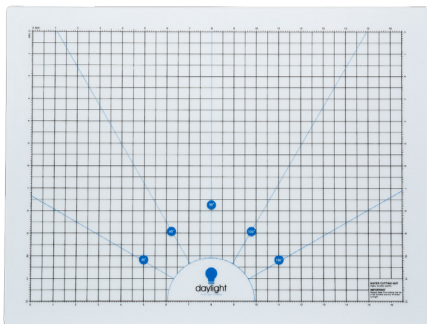
Light output

Light source	LED
Brightness Levels	Continuous
Lumens	240
Color temperature	6,000K
CRI	80+
Energy consumption	7.6W

Packaging information

Height	11"
Width	18.4"
Depth	2.36"
Packed weight	3lb
Products per master carton	10

ACCESSORIES



U35042 A4 Cutting Mat

- Self-healing cutting mat in A4 size for the Wafer 1 Lightbox