

MagnificentTM

FLOOR & TABLE MAGNIFIER

Fact Sheet



The MAGnificent Lamp is ideal for all types of detailed work. This lamp is cleverly designed to be used as both a floor lamp (with 2 different height options) as well as a table lamp. The daylight LEDs provide high contrast and accurate colour matching, making it easier and less tiring to read, work and see detail clearly. LEDs use very little energy. The large, semi-rimless 1.75X magnifying lens allows uninterrupted viewing of close up work.



LIGHT QUALITY



ERGONOMICS



DESIGN

daylightcompany.com



daylight

when light matters

LED 6,000 K daylight

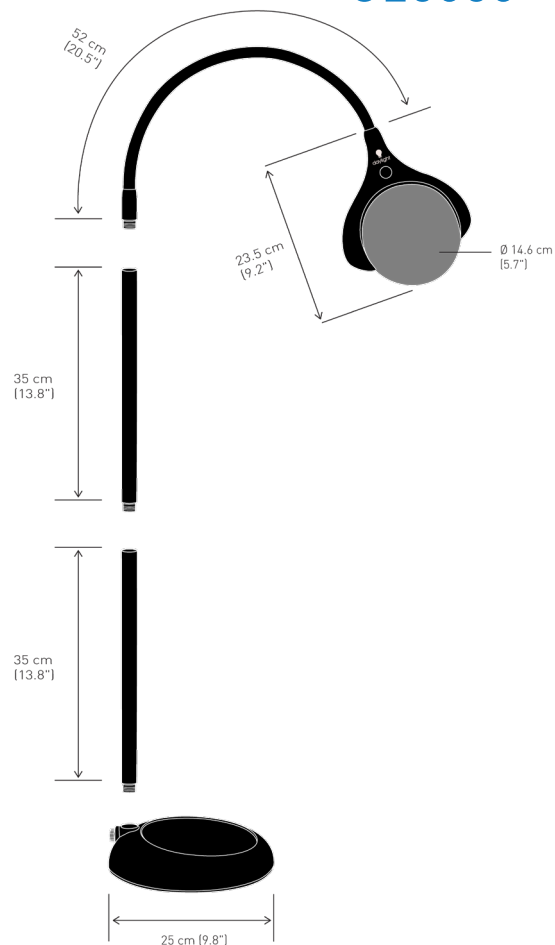
1,850 Lux at 15cm (6")

Large semi-rimless lens

Magnificent™

FLOOR & TABLE MAGNIFIER

U25050



FEATURES

- Flexible arm directs light exactly where you need it
- Height adjustable, can be used as a floor or table lamp
- Daylight LEDs provide true color matching
- Large 5¾" semi-rimless lens, 1.75X magnification for clear viewing of close up work

SPECIFICATIONS

Product information

Weight	3.5 kg (7.7 lb)
Colour	white
Cable length	1.8 m (70.9")

Light output

Light source	LED
Lumens	432 lm
Lux at 15 cm (6")	1,850
Colour temperature	6,000 K
CRI	80+
Energy consumption	5W

Packaging information

Height	47.5cm (18.7")
Width	34.5cm (13.58")
Depth	10.5 cm (4.13")
Packed weight	4.7kg (10.34lb)
Products per master carton	2