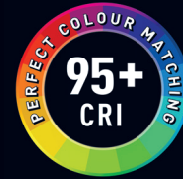


# MAG Lamp S™

EN1200

MAGNIFIER

Fact Sheet



The MAG Lamp S is your ideal companion when carrying out detailed tasks or treatments. Featuring 95+ CRI for accurate colour rendering and a choice of three colour temperatures, it ensures optimal lighting for any environment. With 2 brightness levels, a 13cm (5") glass lens, and an adjustable spring arm, you can position this magnifier exactly where you need it and choose the most suitable brightness setting for your task at hand.

---

5,300 Lux at 15cm (6")

---

---

3 colour temperatures

---

---

2 brightness levels

---



LIGHT QUALITY



ERGONOMICS

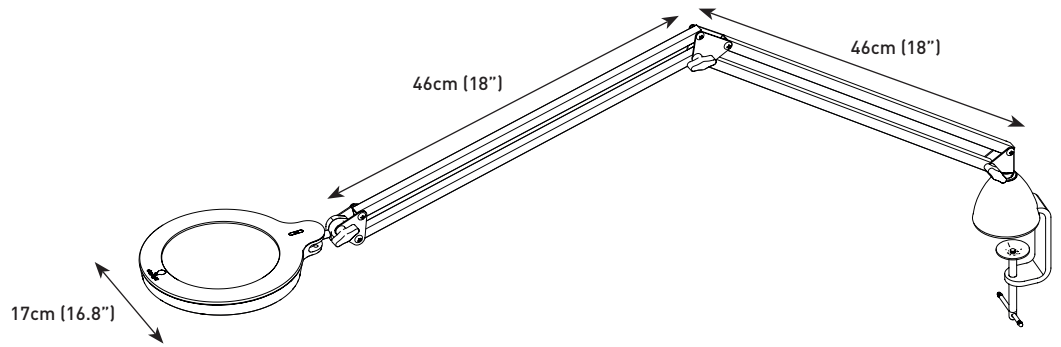


DESIGN

# MAG Lamp S™

EN1200

## MAGNIFIER



## FEATURES

- Modern and attractive slim design
- 13cm (5") glass lens with 3 dioptre (1.75X) magnification
- Choice of 3 colour temperatures: Daylight (6,000K), Cool Light (4,000K) and Warm Light (2,700K)
- 95+ CRI for accurate colour matching
- Easily adjustable spring arm
- Maximum reach 110cm (43")
- 2 brightness levels

## SPECIFICATIONS

### Product information

Weight	1.5kg
Colour	White / Grey
Lens size	12.5cm
Cable Length	2m

### Light output

Light source	LEDs
Lumens	406 lm
Lux at 15cm (6")	5,300
Colour temperature	6,000K / 4,000K / 2,700K
CRI	95+
Energy consumption	12W

### Packaging information

Height	24.5cm
Width	72cm
Depth	8.6cm
Packed weight	2.4kg
Products per master carton	4

## ACCESSORIES

### E53060 Floorstand

Height	81cm
Width	38cm
Weight	8kg



### Other details

Barcode	5022737012007
Commodity code	9405219090