

# Omega 5™

E25110

MAGNIFIER

Fact Sheet



The Omega 5 Magnifier has a 12.7cm (5") diameter glass lens with 3 dioptres (1.75X) magnification. An additional 5 dioptres (2.25X) magnification lens is also included. It comes with 4 brightness levels to suit your needs. The internal spring arm allows accurate positioning. The aesthetically pleasing white and grey finish fits perfectly within any professional environment.

---

5,500 lux at 15cm (6")

---

3 colour temperatures

---

4 brightness levels

---



LIGHT QUALITY



ERGONOMICS



DESIGN

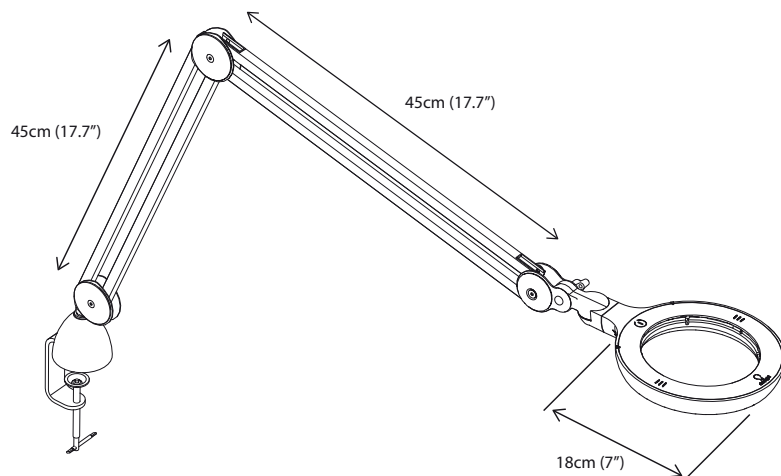
# Omega 5<sup>TM</sup>

E25110

## MAGNIFIER

## FEATURES

- Lense Ø 12,7cm (5")
- Glass lens
- Choice of 3 colour temperatures: Daylight (6,000K), Cool Light (4,000K) and Warm Light (2,700K)
- 95+ CRI for accurate colour matching
- 3 dioptrres (1.75X) and 5 dioptrres (2.25X) lenses included
- 4 brightness levels
- Long reach 106cm (42")
- Adjustable head joint with wing nut



## SPECIFICATIONS

### Product information

Weight	2.9kg
Colour	White / Grey
Lens size	12.7cm
Cable Length	2m

### Light output

Light source	LEDs
Lumens	600 lm
Lux at 15cm (6")	5,500
Colour temperature	6,000K / 4,000K / 2,700K
CRI	95+
Energy consumption	9W

### Packaging information

Height	42cm
Width	54cm
Depth	10cm
Packed weight	3.7kg
Products per master carton	2

## ACCESSORIES

### E53060 Floorstand

Height	81cm
Width	38cm
Depth	8kg



### Other details

Barcode	5022737251109
Commodity code	9405219090