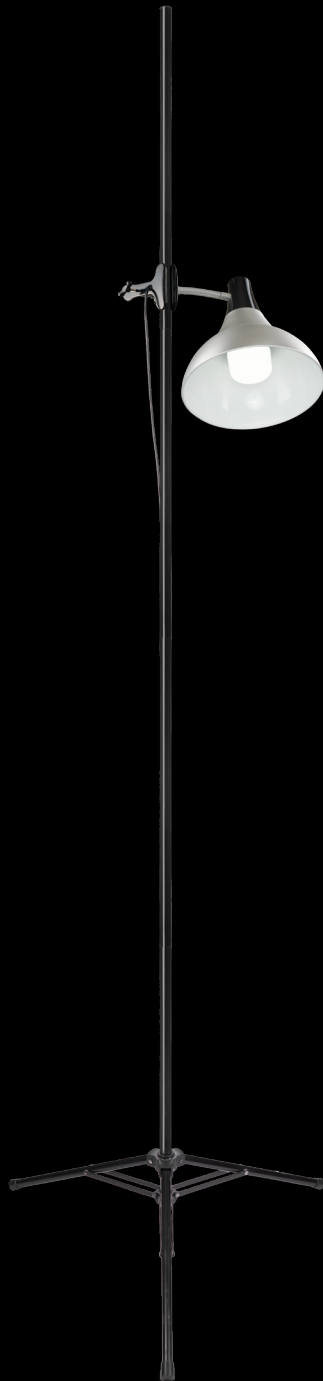


# Studio Lamp<sup>TM</sup>

FOR ARTS



Fact Sheet



Exceptionally versatile studio lamp for working on medium, large or very large surfaces and objects. It is also ideal for large canvasses, murals and sculptures. The large aluminium shade clips onto the tall tripod stand and can be adjusted in any position to provide excellent art studio lighting. The shade is light for easy movement. Attach a second studio lamp for even more luminescence, shadow-free and even light output. The sturdy stand can hold a second studio lamp without compromising stability.

---

LED 6,500 K daylight

---

5,000 Lux at 30 cm (12")

---

LED bulb included

---



LIGHT QUALITY



ERGONOMICS



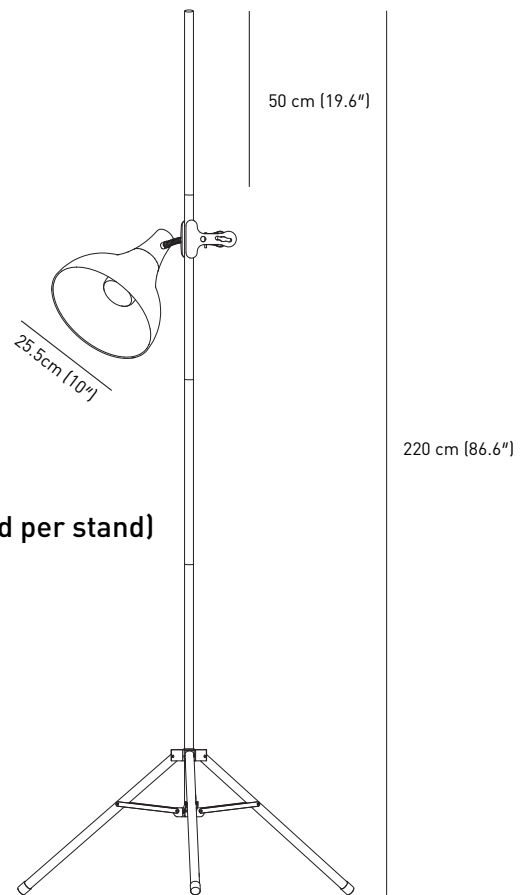
DESIGN

[daylightcompany.com](http://daylightcompany.com)

# Studio Lamp™

FOR ARTS

A31375



## FEATURES

- Metal tripod stand supports up to 2 lamps (only one lamp is supplied per stand)
- A second lamp can be attached without compromising stability
- Stable base
- Patented Clamp-Lock™ system keeps the lamp firmly in position

## SPECIFICATIONS

### Product information

Weight	2 kg (4.5 lb)
Colour	Black / Silver
Cable length	3 m (9.8')

### Light output

Light source	LED
Lumens	1,800 lm
Lux at 30 cm (12")	5,000
Colour temperature	6,500 K
CRI	80+
Energy consumption	18W

### Packaging information

Height	2.2 m (7.2')
Width	26 cm (10")
Depth	28 cm (11")
Packed weight	3.5 kg (7.6 lb)
Products per master carton	4